

C-SERIES C10,000 ET

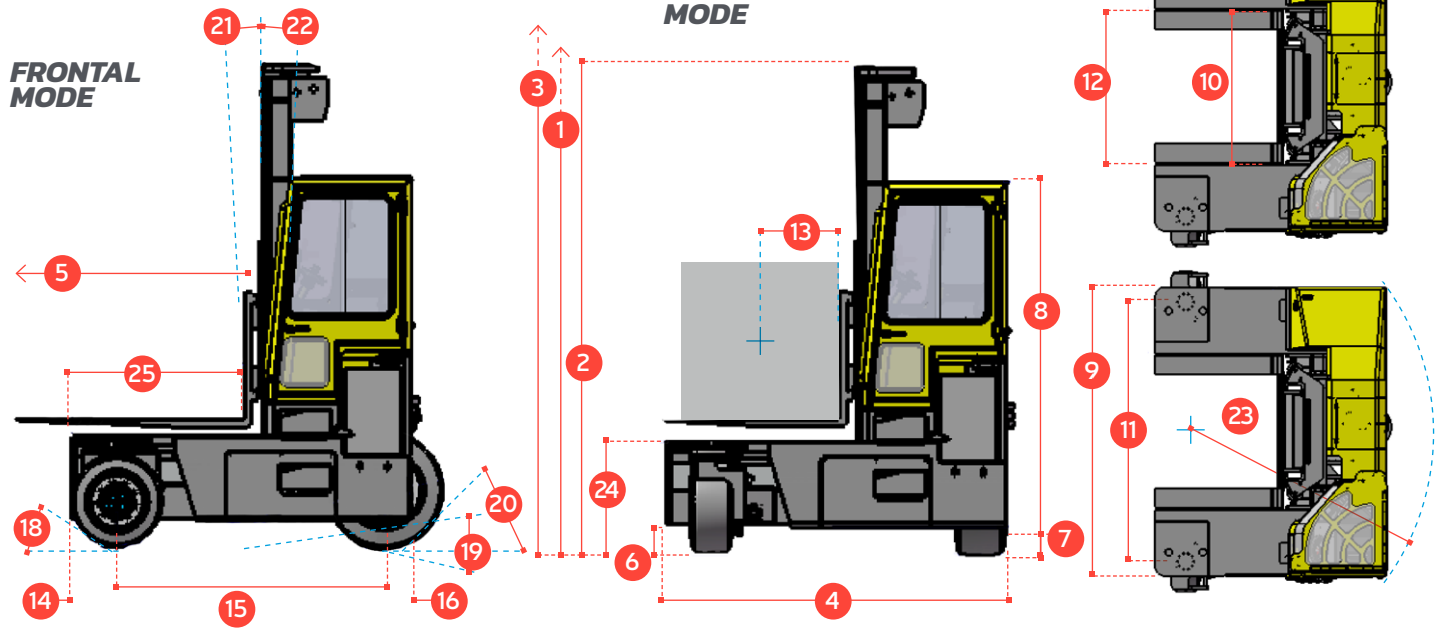
The multi-directional forklift designed for the safe, space saving and productive handling of long and bulky loads.

COMBILIFT

LIFTING INNOVATION



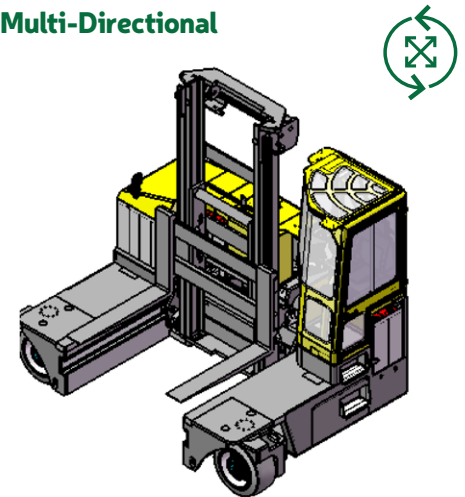
C-SERIES C10,000 ET



REF.	DESCRIPTION	C10000 ET
1a	Standard Lift Height	4100mm
1b	Freelift Height	0mm
2	Height Mast Closed	3450mm
3	Max. (Mast raised)	5800mm
4	Overall Length	3070mm
5	Mast Travel	1730mm
6	Ground Clearance Under Mast	350mm
7	Ground Clearance to Centre of Wheelbase	180mm
8	Height Over Cab (Without work - lights)	2650mm
9	Width	3045mm
10	Outside Spread of Fork Arms	1600mm
11	Track Front	2732mm
12	Frame Opening	1650mm
13	Load Centre Distance	600mm
14	Overhang Front	323mm
15	Wheelbase	2561mm
16	Overhang Back	186mm
17	Length From Face of Fork	1380mm
18	Approach Angle	45°
19	Ramp Angle	29°
20	Departure Angle	45°
21	Forward Tilt	3°
22	Backward Tilt	5°
23	Minimum Outside Radius	3100mm
24	Platform Height	695mm
25	Platform Length	1690mm

A	Capacity	10000kg
B	Unladen Weight	14300kg
C	Maximum Ground Speed	12km/h
D	Gradability	10%
E	Drive Rear/Front	1 x 7kW & 2 x 6kW
F	Electrics	80V x 1000 Ah
G	Fork Section	65mm x 200mm x 1690mm
H	Front Tyre (solid rubber slick Tyre)	OD 559mm / Width 305mm
I	Rear Tyre	OD 840mm / Width 350mm
J	Standard Colour	Yellow & Grey
K	Suspension Seat	Grammar MSG65/521

Multi-Directional



Features Include:

- Rubber Mounted Cabin
- Multi-Direction Operation
- Load Sensing Steering
- 3 Wheel Drive
- 4-way lever positioning of Wheels
- AC Motor Technology

Distributed by:

Australian Patent No. 2014217777; Brazilian Patent Application No. BR 11 2015 020348 5; Canadian Application No. 2,901,522; Chinese Patent No. ZL 201480009365.9; European Patent No. 2956350; German Patent No. 60 2010 037 116.6; Indian Patent Application No. 2438/MwUMNP/2015; United States Patent No. 9,561,943; UK Patent Application No. 1803601.2; PCT Application No. PCT/EP2019/051235

COMBILIFT HAS A POLICY OF CONTINUOUS PRODUCT DEVELOPMENT AND RESERVES THE RIGHT TO ALTER SPECIFICATIONS WITHOUT PRIOR NOTICE. SPECIFICATIONS AND/OR DIMENSIONS MAY VARY FROM THOSE ILLUSTRATED IN SOME COUNTRIES.

CO. MONAGHAN +353 47 80500
IRELAND INFO@COMBILIFT.COM

combilift.com